

SCM-PD4CH

4 POSITION POWER CONTROL BOX



DESCRIPTION

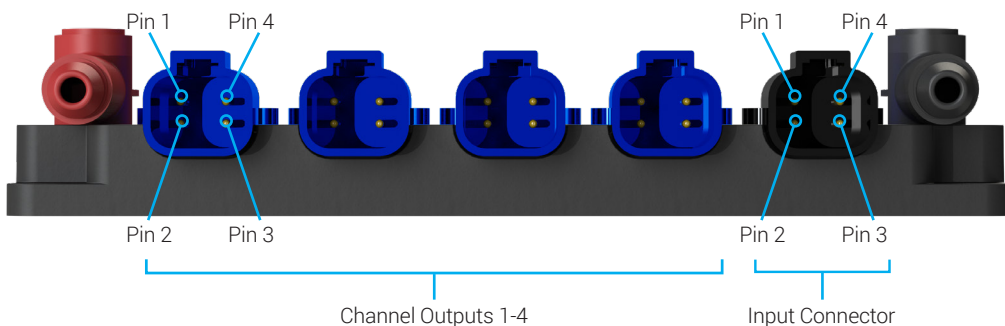
The Shadow-Caster™ 4 Channel Power Distribution module is designed to offer a convenient way to distribute power to 4 underwater lights, and provide individual light over current protection in a convenient IP67 module. Each output channel is rated for 15 amps, and has its own 4 pin DT waterproof connector.



USE

Each channel output 1-4 is current protected at 15 amps. If this load is exceeded, the output channel will turn off, and the channel status indicator light will turn red to indicate a fault condition. To reset, remove the overload condition, and cycle the power switch.

PIN OUTS



Channel Outputs	Connection
Pin 1	Red +12V out (use)
Pin 2	Orange - Shadow-NET™ Low
Pin 3	Yellow - Shadow-NET™ High
Pin 4	Ground

Input Connector	Connection
Pin 1	Turn On (input)
Pin 2	Orange - Shadow-NET™ Low
Pin 3	Yellow - Shadow-NET™ High
Pin 4	Power 20mA (output)

WIRE GAUGE REQUIREMENTS

Sufficient wire gauge is critical. Insufficient gauging can cause voltage drop which leads to over current conditions.

Scan the QR Code or click [here](#) to view our recommended wire gauge chart.



Designed & Manufactured in Clearwater, FL
© 2023 Shadow-Caster® LEDs. All Right Reserved.

Shadow-Caster® LED Lighting | 2060 Calumet Street | Clearwater, FL 33765
p: +1 727.474.2877 e: info@shadow-caster.com w: shadow-caster.com

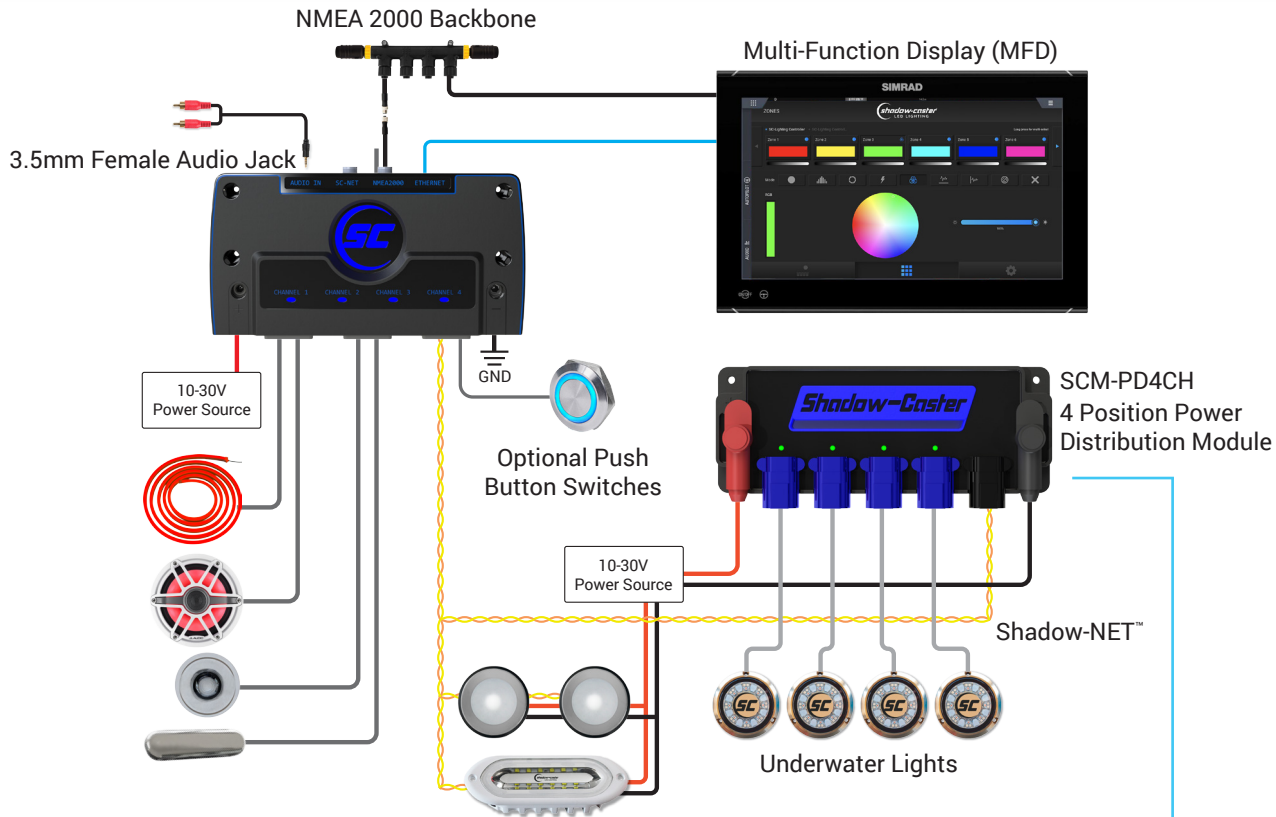
SCM-PD4CH

4 POSITION POWER CONTROL BOX

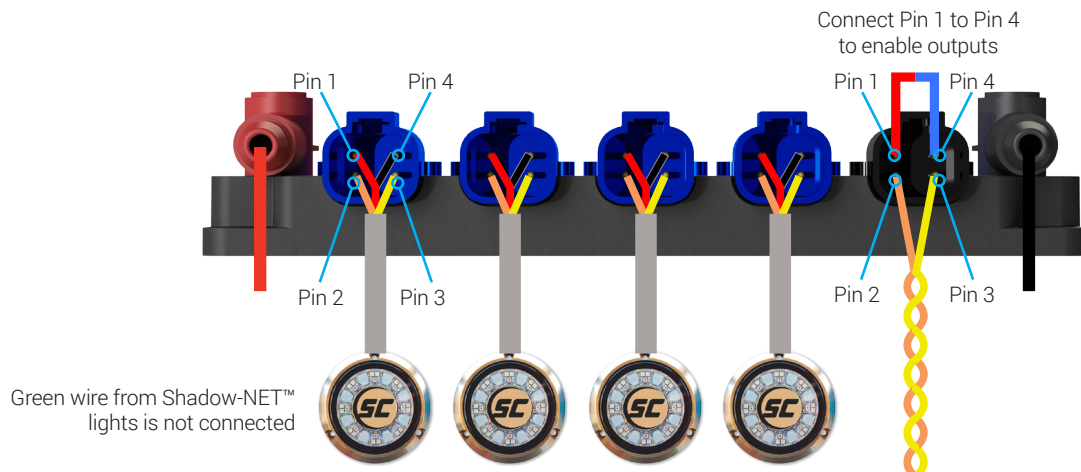


► SCHEMATIC

For use in Shadow-NET™ installations:



SCM-PD4CH Pin Connections



Designed & Manufactured
in Clearwater, FL
© 2023 Shadow-Caster® LEDs. All Right Reserved.

Shadow-Caster® LED Lighting | 2060 Calumet Street | Clearwater, FL 33765
p: +1 727.474.2877 e: info@shadow-caster.com w: shadow-caster.com

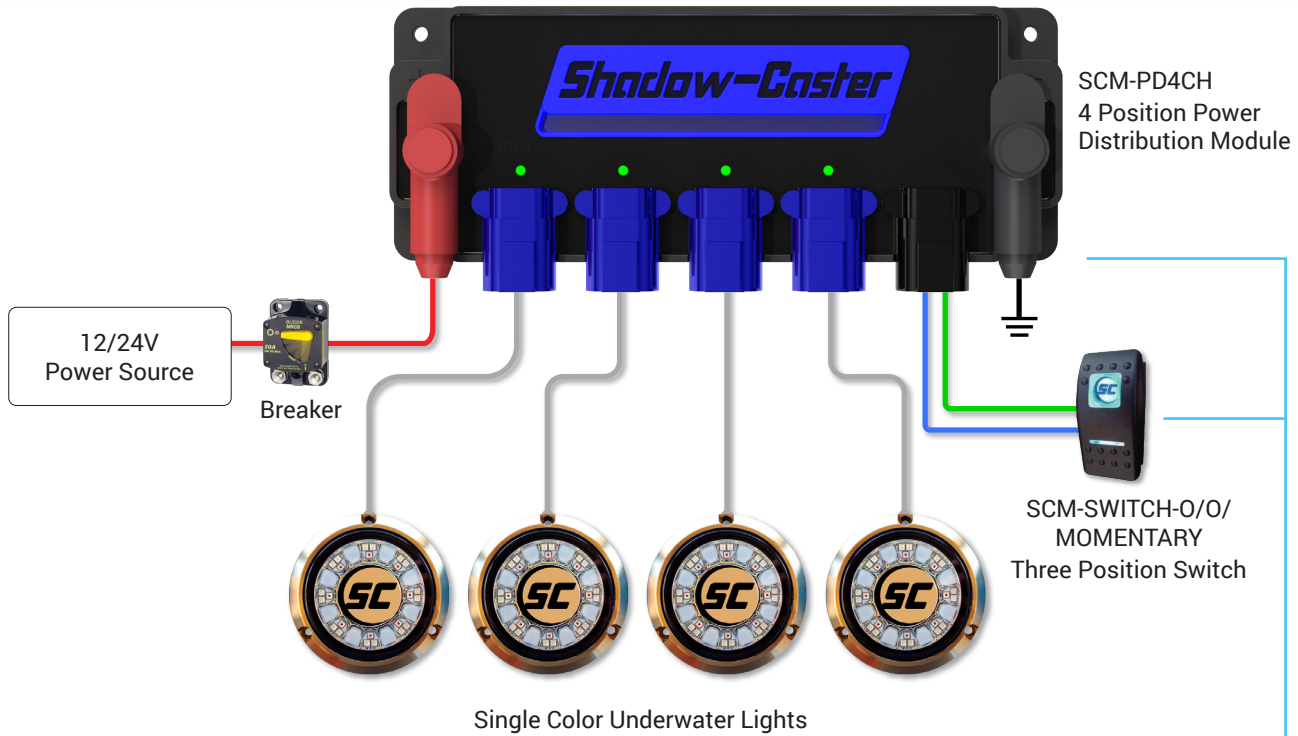
SCM-PD4CH

4 POSITION POWER CONTROL BOX

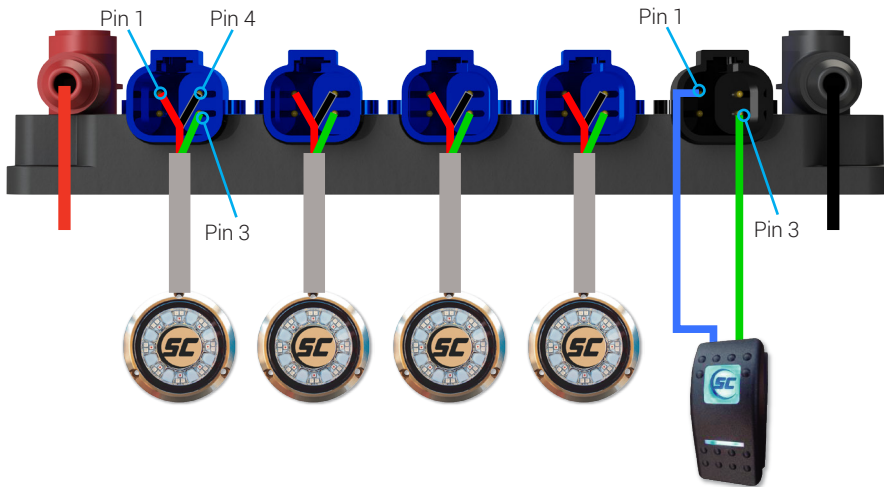


► **SCHEMATIC**

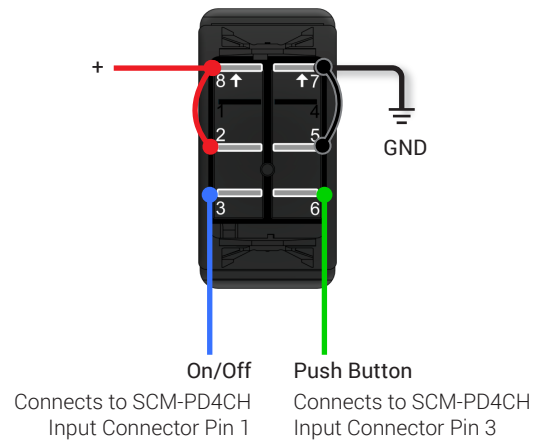
For use in power toggle control applications:



SCM-PD4CH Pin Connections



Switch Wiring



Designed & Manufactured in Clearwater, FL
© 2023 Shadow-Caster® LEDs. All Right Reserved.

Shadow-Caster® LED Lighting | 2060 Calumet Street | Clearwater, FL 33765
p: +1 727.474.2877 e: info@shadow-caster.com w: shadow-caster.com

SCM-PD4CH

4 POSITION POWER CONTROL BOX



► DIMENSIONS



Designed & Manufactured
in Clearwater, FL

© 2023 Shadow-Caster® LEDs. All Right Reserved.

Shadow-Caster® LED Lighting | 2060 Calumet Street | Clearwater, FL 33765
p: +1 727.474.2877 e: info@shadow-caster.com w: shadow-caster.com